



# Приточно-вытяжные вентиляторы VEGA

## Технические характеристики

### По вопросам продаж и поддержки обращайтесь:

Архангельск (8182)63-90-72

Астана +7(7172)727-132

Белгород (4722)40-23-64

Брянск (4832)59-03-52

Владивосток (423)249-28-31

Волгоград (844)278-03-48

Вологда (8172)26-41-59

Воронеж (473)204-51-73

Екатеринбург (343)384-55-89

Иваново (4932)77-34-06

Ижевск (3412)26-03-58

Казань (843)206-01-48

Калининград (4012)72-03-81

Калуга (4842)92-23-67

Кемерово (3842)65-04-62

Киров (8332)68-02-04

Краснодар (861)203-40-90

Красноярск (391)204-63-61

Курск (4712)77-13-04

Липецк (4742)52-20-81

Магнитогорск (3519)55-03-13

Москва (495)268-04-70

Мурманск (8152)59-64-93

Набережные Челны (8552)20-53-41

Нижний Новгород (831)429-08-12

Новокузнецк (3843)20-46-81

Новосибирск (383)227-86-73

Орел (4862)44-53-42

Оренбург (3532)37-68-04

Пенза (8412)22-31-16

Пермь (342)205-81-47

Ростов-на-Дону (863)308-18-15

Рязань (4912)46-61-64

Самара (846)206-03-16

Санкт-Петербург (812)309-46-40

Саратов (845)249-38-78

Смоленск (4812)29-41-54

Сочи (862)225-72-31

Ставрополь (8652)20-65-13

Тверь (4822)63-31-35

Томск (3822)98-41-53

Тула (4872)74-02-29

Тюмень (3452)66-21-18

Ульяновск (8422)24-23-59

Уфа (347)229-48-12

Челябинск (351)202-03-61

Череповец (8202)49-02-64

Ярославль (4852)69-52-93

сайт: [www.ciat.nt-rt.ru](http://www.ciat.nt-rt.ru) | эл. почта: [cta@nt-rt.ru](mailto:cta@nt-rt.ru)



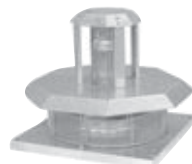
Approved for *smoke extraction*  
**F400/120**

*Rain protection* guaranteed by a large cover in ABS

*Mounted cabled* proximity switch

*Numerous motors* available

*Vertical supply* available as an option (kit V)



**VEGA ATEX**  
Ex II 2 GD cT6



*Air flow: 400 to 30,000 m<sup>3</sup>/h*



## DESCRIPTION

- Vast range of flow rates/pressures
  - F400/120 smoke extraction as standard
  - or operation with continuous clean air (60°C maximum temperature).
- Supplied with horizontal supply, the **VEGA F400** roof ventilator can easily be transformed into a vertical jet with the "V" kit option, which can be integrated after installation (except models 800 and 900 and ATEX models).
- Vacuum pressure available up to 1000 Pa for certain models.
- Roof "V" kit in RAL 7024 grey ABS plastic.
- Galvanised grille and base.
- "High performance" centrifugal impeller with backward-curved blades in galvanised steel.
- Proximity switch fitted and wired (except ATEX).
- Vega ATEX model with specific metal construction.
- F class tropicalised IP 55 motors.

## OPTIONS AND ACCESSORIES

MOUNTING	ELECTRICAL
Automatic dampers – F400/120 Bedding frame – F400/120 Tilting frame bedding for wheel cleaning – F400/120 Roof crossing – F400/120 Fixing frame for cylindrical duct Sound-proof stack EPOXY paint	Mounted cabled proximity switch Mounted cabled circuit breaker Voltage variator Frequency variator 2-speed control box CONTROLVENT relay box

**ATEX Version:** II 2 G/D

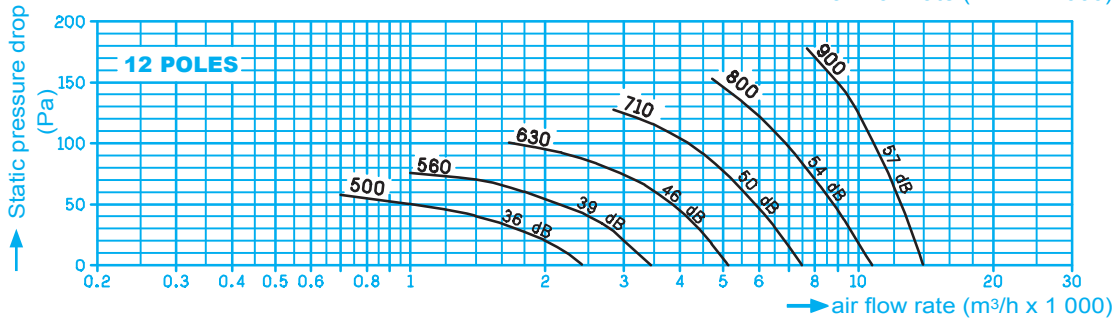
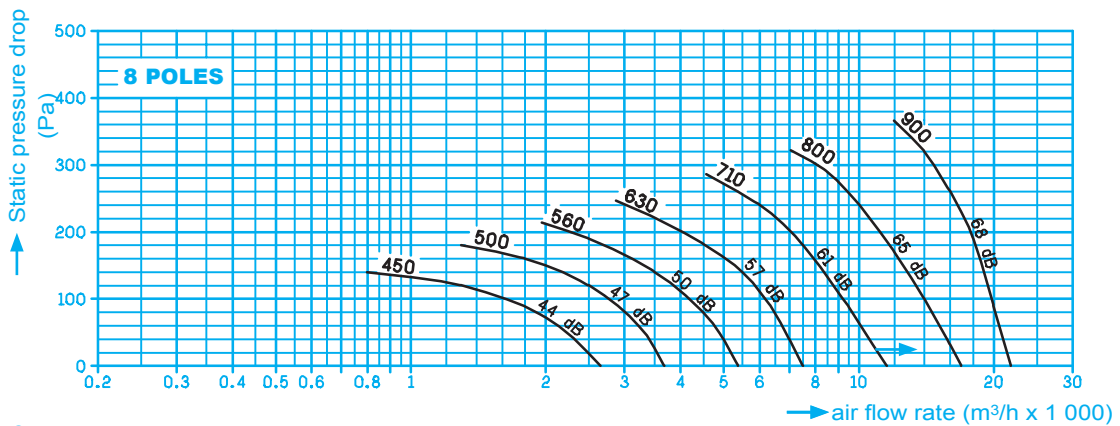
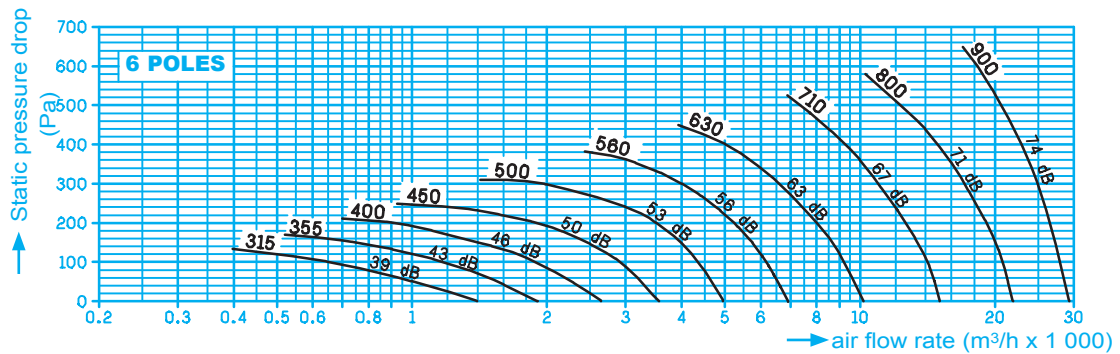
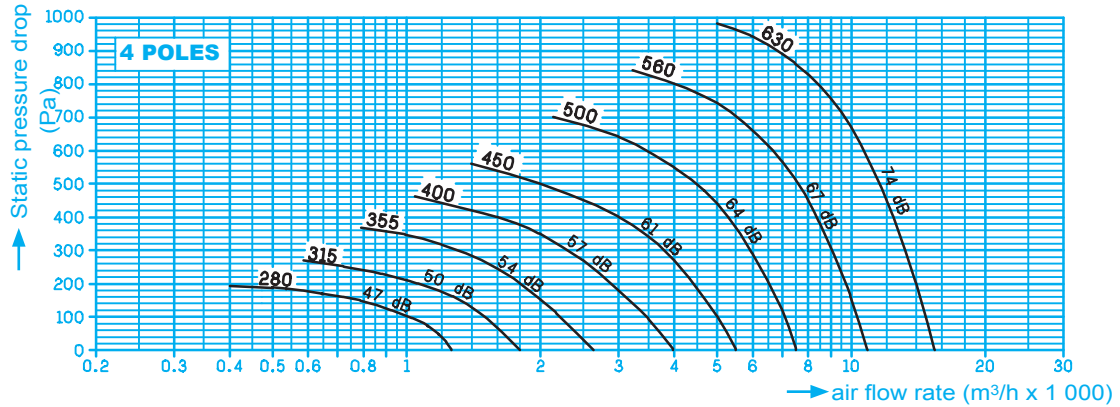
Approved models: VEGA 250 to 560

Approved in zone 1 and zone 2

**Please note:** the VEGA ATEX is not suitable for smoke extraction applications and no accessories are available for this version.

## SELECTION CURVES

Air at +20 °C - Pressure 1013 hPa  
50 Hz electrical power supply



### Selection example

You are looking for a roof ventilator with an air flow of 1 000 m³/h and a duct pressure of 300 Pa.

Select **VEGA F400 355 4 P**.

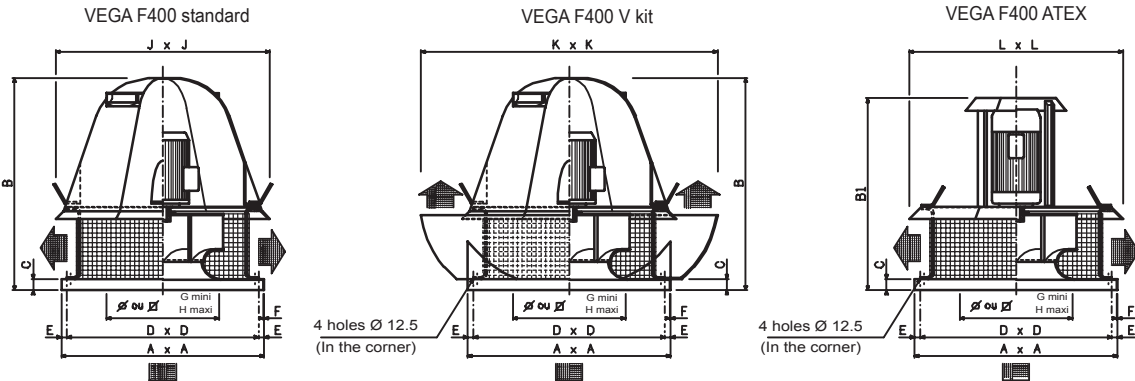
The sound level at 8 m outside is 54 dB(A)

### Sound levels

The values indicated on the curves are acoustic pressure levels in dB(A) at a distance of 8 m in free field, directivity 2, precision ±3 dB.

To obtain a pressure level (Lw), add 26 dB.

**DIMENSIONS**



VEGA	A	B	B1	C	D	E	F	G	H	J	k	L	Mass (kg)	
													VEGA F400	ATEX
280	460	512	483	36	412	24	1.5	320	350	486	670	527	22	25
315	460	512	483	36	412	24	1.5	320	350	486	670	527	23	26
355	610	643	584	36	562	24	1.5	435	465	632	910	676	30	33
400	610	643	584	36	562	24	1.5	435	465	632	910	676	32	35
450	610	643	584	36	562	24	1.5	435	465	632	910	676	34	37
500	750	785	714	46	702	24	2	595	625	774	1135	823	55	58
560	750	785	714	46	702	24	2	595	625	774	1135	823	60	63
630	937	970	-	46	889	24	2	685	715	948	1350	-	95	-
710	937	970	-	46	889	24	2	685	715	948	1350	-	110	-
800	1065	1128	-	46	1017	24	2	855	885	1170	-	-	160	-
900	1065	1128	-	46	1017	24	2	855	885	1170	-	-	190	-

**ELECTRICAL CHARACTERISTICS**

**Three phase 400 V - 50 Hz (P in kW\* / IN in A\*) - 4, 6 & 8 pole single-speed motors - motors 4/8 and 6/12 poles : DAHLANDER windings motors 4/6 and 6/8 poles: independant windings**

VEGA	4 Poles	6 Poles	8 Poles	4 / 6 Poles	4 / 8 Poles	6 / 8 Poles	6 / 12 Poles
280	0.25 kW 0.83 A	-	-	-	0.37 / 0.07 kW 1.22 / 0.47 A	-	-
315	0.25 kW 0.83 A	0.25 kW 1.00 A	-	-	0.37 / 0.07 kW 1.22 / 0.47 A	-	-
355	0.25 kW 0.83 A	0.25 kW 1.00 A	-	-	0.37 / 0.07 kW 1.22 / 0.47 A	-	-
400	0.37 kW 1.40 A	0.25 kW 1.00 A	-	0.37 / 0.13 kW 1.00 / 0.6 A	0.37 / 0.07 kW 1.22 / 0.47 A	-	-
450	0.55 kW 1.50 A	0.37 kW 1.10 A	-	0.75 / 0.22 kW 2.10 / 0.90 A	0.60 / 0.10 kW 2.30 / 0.82 A	-	-
500	1.50 kW 3.20 A	0.37 kW 1.10 A	-	1.20 / 0.40 kW 3.10 / 1.30 A	1.30 / 0.22 kW 4.00 / 1.63 A	-	0.30 / 0.06 kW 0.95 / 0.45 A
560	2.20 kW 4.60 A	0.75 kW 2.10 A	0.55 kW 1.70 A	1.80 / 0.60 kW 5.10 / 1.90 A	1.80 / 0.30 kW 5.00 / 1.95 A	0.60 / 0.30 kW 1.75 / 1.25 A	0.60 / 0.12 kW 1.75 / 0.70 A
630	3.40 kW 6.90 A	0.99 kW 2.70 A	-	-	3.40 / 0.60 kW 7.50 / 2.60 A	-	0.90 / 0.18 kW 2.35 A / 1.10 A
710	-	2.20 kW 5.00 A	0.99 kW 3.40 A	-	-	1.80 / 0.90 kW 5.00 / 3.30 A	1.80 / 0.30 kW 5.00 / 1.95 A
800	-	4.00 kW 9.00 A	2.20 kW 6.10 A	-	-	3.75 / 1.80 kW 10.00 / 6.10 A	3.40 / 0.55 kW 8.80 / 2.80 A
900	-	7.50 kW 15.50 A	-	-	-	7.30 / 3.70 kW 17.00 / 10.50 A	7.50 / 1.30 kW 17.50 / 5.50 A

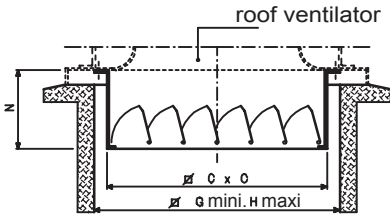
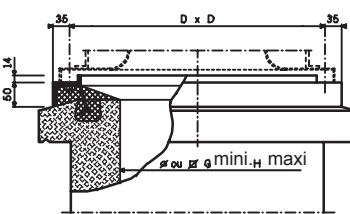

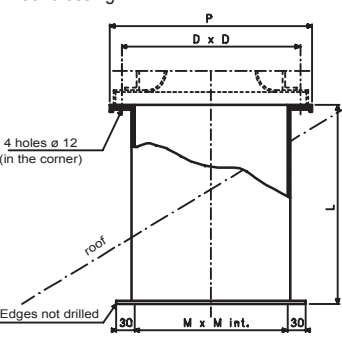
**INTENSITY IN SINGLE PHASE 230 V - 50 Hz: VEGA 280 to 355 = 1.7 A / VEGA 400 = 2.6 A / VEGA 450 = 4.5 A**

ATEX MODEL : CONSULT US

\* Indicative values as per current motor manufacturer's catalogue

The dimensioning of protection devices must be made according to the intensity mentioned on the motor mounted on the unit.

## ACCESSORIES FOR ASSEMBLY (EXCEPT ATEX MODEL)

Description		Code
<p>■ Automatic shutters - F400/120</p> <p><b>Note</b> : the use of this option causes a drop of 10% in the air flow rate</p> 	<p>Automatic shutters. For roof ventilator air intake assembly.</p> <p>VEGA</p>	<p>280 315F</p> <p>7121597</p> <p>355 400 450</p> <p>7121598</p> <p>500 560</p> <p>7121600</p> <p>630 710</p> <p>7121601</p> <p>800 900</p> <p>7121602</p>
<p>■ Bedding frame - F400/120</p> 	<p>Sealing frame.</p> <p>VEGA</p>	<p>280 315</p> <p>2845688</p> <p>355 400 450</p> <p>2845689</p> <p>500 560</p> <p>2845690</p> <p>630 710</p> <p>2845691</p> <p>800 900</p> <p>2845692</p>
<p>■ Tip up bedding frame for wheel cleaning - F400/120</p> 	<p>Sealing frame.</p> <p>VEGA</p>	<p>280 315</p> <p>7009575</p> <p>355 400 450</p> <p>7009577</p> <p>500 560</p> <p>7009578</p> <p>630 710</p> <p>7009579</p>
<p>■ Roof crossing</p> 	<p>Roof crossing Sealing system under the installer's responsibility.</p> <p>VEGA</p>	<p>280 315</p> <p>2845687</p> <p>355 400 450</p> <p>2845686</p> <p>500 560</p> <p>2837957</p> <p>630 710</p> <p>2837958</p> <p>800 900</p> <p>-</p>

### Acoustic level reduction spectrum

Hz		125	250	500	1000	2000	4000
4 poles	dB	- 5	- 4	- 3	- 4	- 8	- 13
6 poles	dB	- 3	- 2	- 1	- 5	- 8	- 17

### Dimensions

VEGA F400	C	D	G	H	L	M	N	P
280 - 315	310	412	320	350	1100	380	186	484
355 - 400 - 450	425	562	435	465	1145	525	186	629
500 - 560	585	702	595	625	1245	668	186	772
630 - 710	675	889	685	715	1330	850	186	954
800 - 900	845	1017	855	885	-	-	186	-

**ACCESSORIES FOR ASSEMBLY (EXCEPT ATEX MODEL)**

Description		Code
<p>■ Fixation frame for cylindrical duct</p>	280 315	2845809
	355 400 450	2845810
	500 560	2845811
	630 710	2845812
	800 900	—
<p>■ Soundproof support</p>	280 315	2210052
	355 400	2210053
	450 500 560	2210054
	630 710	2210055
	800 900	—

**Dimensions**

VEGA	D	L1	M	P	R	S	T
280 - 315	412	450	380	484	300	355	452
355 - 400 - 450	562	450	525	629	400	500	602
500 - 560	702	500	668	772	500	630	741
630 - 710	889	500	850	954	630	800	928

**Sound attenuation of the sound-proof support**

Hz	125	250	500	1000	2000	4000
dB(A)	4	12	20	35	38	25

## ELECTRICAL ACCESSORIES

	<b>Circuit breaker unit FMA 1-PH</b>	VEGA 280 /315 / 355 1-PH 4 P	VEGA 400 1-PH 4 P		VEGA 450 1-PH 4 P		
		7252528	7252529		7252530		
	<b>Circuit breaker unit FMA 3-PH</b>	VEGA 560 3-PH 6 P	VEGA 500 3-PH 4 P		VEGA 280/315/355 3-PH 4 P	VEGA 400/450 3-PH 4 P	VEGA 630 3-PH 4 P
		VEGA 560 3-PH 8 P	VEGA 630 3-PH 6 P	VEGA 710 3-PH 6 P	VEGA 315/355/400 3-PH 6 P	VEGA 450/500 6 P 3-PH	VEGA 800 3-PH 6 P
			VEGA 710 3-PH 8 P	VEGA 800 3-PH 8 P			
		7252528	7252529	7252530	7252526	7252527	7252531

	<b>5A variable voltage drive</b>	VEGA 1-PH 4 P 280 / 315 / 355 / 400 / 450					
		7324461					
	<b>NXL variable frequency drive</b>	VEGA 4 P 3-PH 280 / 315 / 355 / 400 / 450 / 500	VEGA 560 3-PH 4 P	VEGA 630 3-PH 4P	VEGA 710 3-PH 8 P	VEGA 800 3-PH 6 P	VEGA 900 3-PH 6 P
		VEGA 6 P 3-PH 315 / 355 / 400 / 450 / 500 / 560 / 630	VEGA 710 3-PH 6 P	VEGA 800 3-PH 8 P			
		VEGA 560 8 P 3-PH					
		7256189	7256191	7256192	7256190	7256193	7256195

	Cased potentiometer for remote drive	0816149
	Pump cut-off switch	2732330
	- Pressure switch with 5 A breaking capacity and measuring range of 0.2 to 3 mbar - Pressure connector - 2 metres of plastic tubing	7373623
	Key-operated reset remote control	2732633

### TWO-SPEED 3-PH 400V MOTOR ELECTRICAL BOXES FOR VEGA EXTRACTION FANS

Description	No. of poles	Type motor	Power (kW)		Current (A)		Code
			HS	LS	HS	LS	
2 COILS	4 and 6	LS 71 L	0.37	0.13	1	0.6	7259016
	4 and 6	LS 90 S	0.75	0.22	2.1	0.9	7259017
	4 and 6	LS 90 L	1.2	0.4	3.1	1.3	7259018
	4 and 6	LS100 L	1.8	0.6	5.1	1.9	7259019
	6 and 8	LS 90 S	0.37	0.15	1.25	0.82	7259020
	6 and 8	LS 90 LG	0.6	0.3	1.75	1.25	7259021
	6 and 8	LS112 MG	1.3	0.6	3.7	2.7	7259022
	6 and 8	LS132 SM	1.8	0.9	5	3.3	7259023
	6 and 8	LS132 M	3.75	1.8	10	6.1	7259024
DALHANDER COIL	6 and 8	LS160 L	7.3	3.7	18.4	10.3	7259025
	4 and 8	LS 71M	0.37	0.07	1.22	0.47	7259030
	4 and 8	LS 80 L	0.6	0.1	2.3	0.82	7259031
	4 and 8	LS 90 L	1.3	0.22	4	1.63	7259032
	4 and 8	LS100 L	1.8	0.3	5	1.95	7259032
	4 and 8	LS112 MG	3.4	0.6	7.5	2.6	7259033
	6 and 12	LS 90 S	0.3	0.06	0.95	0.45	7259034
	6 and 12	LS 90 L	0.6	0.12	1.75	0.7	7259031
	6 and 12	LS100	0.9	0.18	2.35	1.1	7259035
	6 and 12	LS112 M	1.8	0.3	5	1.95	7259032
6 and 12	LS132 M	3.4	0.55	8.8	2.8	7259037	
6 and 12	LS160 M	7.5	1.3	17.5	5.5	7259038	



**По вопросам продаж и поддержки обращайтесь:**

Архангельск (8182)63-90-72

Астана +7(7172)727-132

Белгород (4722)40-23-64

Брянск (4832)59-03-52

Владивосток (423)249-28-31

Волгоград (844)278-03-48

Вологда (8172)26-41-59

Воронеж (473)204-51-73

Екатеринбург (343)384-55-89

Иваново (4932)77-34-06

Ижевск (3412)26-03-58

Казань (843)206-01-48

Калининград (4012)72-03-81

Калуга (4842)92-23-67

Кемерово (3842)65-04-62

Киров (8332)68-02-04

Краснодар (861)203-40-90

Красноярск (391)204-63-61

Курск (4712)77-13-04

Липецк (4742)52-20-81

Магнитогорск (3519)55-03-13

Москва (495)268-04-70

Мурманск (8152)59-64-93

Набережные Челны (8552)20-53-41

Нижний Новгород (831)429-08-12

Новокузнецк (3843)20-46-81

Новосибирск (383)227-86-73

Орел (4862)44-53-42

Оренбург (3532)37-68-04

Пенза (8412)22-31-16

Пермь (342)205-81-47

Ростов-на-Дону (863)308-18-15

Рязань (4912)46-61-64

Самара (846)206-03-16

Санкт-Петербург (812)309-46-40

Саратов (845)249-38-78

Смоленск (4812)29-41-54

Сочи (862)225-72-31

Ставрополь (8652)20-65-13

Тверь (4822)63-31-35

Томск (3822)98-41-53

Тула (4872)74-02-29

Тюмень (3452)66-21-18

Ульяновск (8422)24-23-59

Уфа (347)229-48-12

Челябинск (351)202-03-61

Череповец (8202)49-02-64

Ярославль (4852)69-52-93

**сайт: [www.ciat.nt-rt.ru](http://www.ciat.nt-rt.ru) | эл. почта: [cta@nt-rt.ru](mailto:cta@nt-rt.ru)**